

# Dubhe CT12-40 (12.8V40AH)

## TCSN Provides Safe and Efficient LFP Battery Solutions

TCSN Dubhe Series adopt high rate and long life LFP cell, inbuilt premium BMS system. Dubhe has superior performance and longevity compared to lead-acid starter batteries, come with only 40% of the lead acid weight and more than twice the lifespan of lead-acid starter batteries.

Higher charging acceptance.

Dubhe the shining star of starting lithium.

## FEATURES

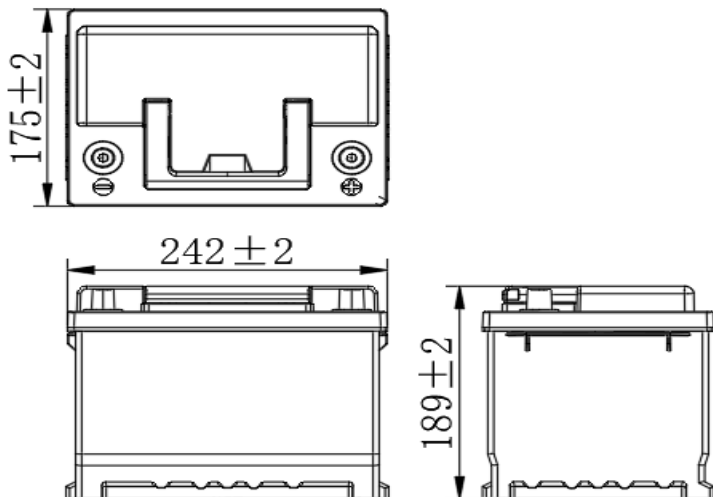
- Safest Lithium Battery Technology
- Lighter Weight
- Eco-friendly
- Longer Life
- Multiple Safety Protection
- Intelligent Balancing Function
- 20 Years Designed Service Life

## PERFORMANCE

Cell	Square LFP 40Ah	Rated Charge Current	20A	Rated Discharge Current	20A
Terminal	AT/M8	Max. Charge Current	40A	Max. Discharge Current	40A
IP Grade	IP67	Rated Charge Voltage	13.6~13.8V	Rated Discharge Cut-off Voltage	10.0V
Self Discharge	≤2%/Month	Maximum Operating Voltage	14.6V	Min. Operating Voltage	>9.6V
Cycle Life	6000times(80%DOD)	Balancing Voltage	>13.6V	CCA	600A



## SIZE



## PERFORMANCE PARAMETERS

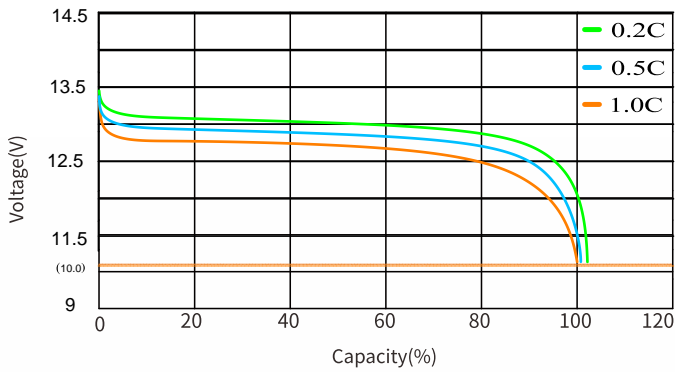
Capacity	40Ah(0.5C@25 °C )
Nominal Voltage	12.8 V
Energy	512Wh
Weight	4.8 kg
Dimensions	242*175*189mm
Internal resistance	<50m
Storage Temp	-5°C to 35°C
Discharge Temp	-20°C to 55°C
Charge Temp	0°C to 45°C

## COMPLIANCE

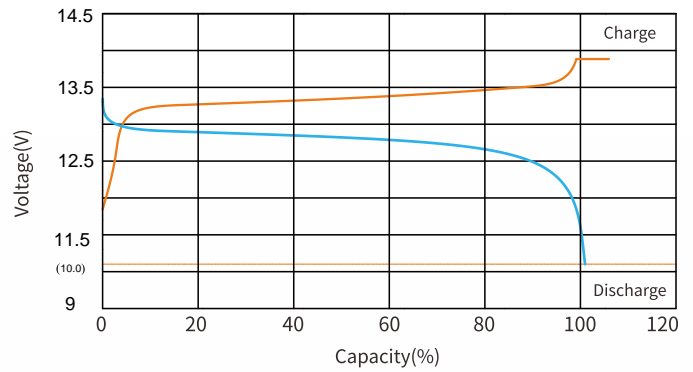
Certifications	Cell	UN38.3
	Battery	UN38.3
Transport Appraisal	UN3480, CLASS 9	

## CHARACTERISTICS CURVE

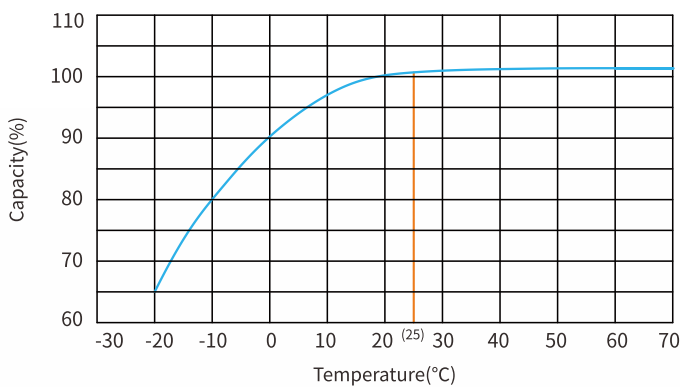
Discharge Performance at 25°C



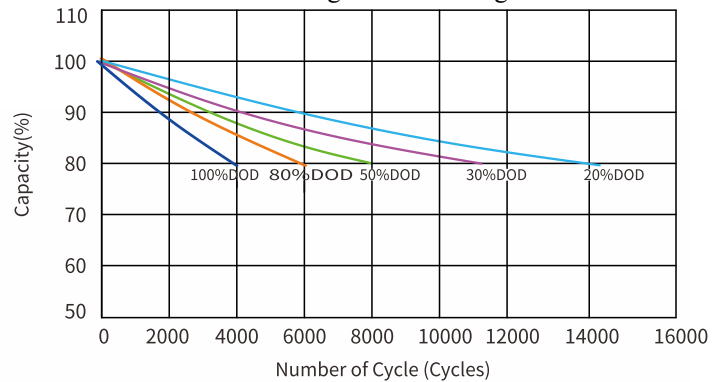
Charge and Discharge at 25°C, 0.5C



Temperature Effects on Capacity at 0.5C



Cycle Life with DOD at 25°C  
1C Discharge and 1C Charge



## CAUTIONS

1. Do NOT short circuit, crush or disassemble.
2. Do NOT heat or incinerate.
3. Do NOT immerse in any liquid.
4. Store at 50% capacity. Recharge every 3 months. The storage area should be clean, cool, dry and ventilated.
5. Disconnect charging source prior to connecting or disconnecting battery terminals.
6. Do not dispose of batteries in a fire as they can explode.
7. Do not open, alter, or mutilate batteries. Released electrolyte is harmful to skin and eyes. It may be toxic.
8. Do not mix different types and brands of lithium-ion batteries.
9. Do not dispose in trash, follow local regulations and manufacturer's instruction.
10. See installation instructions before connecting to the supply.
11. The battery cabinet receives power from more than one source. Disconnection of all DC sources is required to De-energize this unit before installing or servicing. Wait 5 minutes before opening the unit.
12. Do not install on or over combustible surfaces.
13. Refer to manual before servicing.
14. Do not touch bare terminals.